

**The Water Quality Indicator System
with Accuracy, Alarm, Control,
At The DI Tanks,
OR, 700 feet Away!**

- ✓ Auto Temperature Compensation
- ✓ Built-In Alarm (non-alarm available)
- ✓ Steady Green/Flashing Red LEDs
- ✓ Output Port for Relay & Remote Alarm Modules
- ✓ 6 units per single transformer/outlet
- ✓ Safe 12 VDC
- ✓ Easy 1/2" or 3/4" installation
- ✓ 5 Set-points available



Accuracy

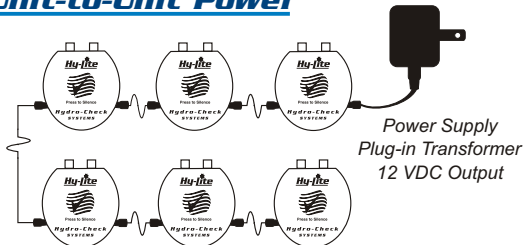
Auto Temperature Compensation (ATC) and Microprocessor electronics achieve $\pm 3\%$ accuracy with $\pm 1\%$ repeatability over a temperature span of 5 - 45 °C (41 - 113 °F).

5 Set-Points

Hy-Lites are available in 5 fixed set-points most popular for monitoring both two-bed and mixed-bed DI systems. Application can also include RO and Distillation:

- 25, 50, 200 kilohm-cm @ 25° C
- 1, 2, megohm-cm @ 25° C

Unit-to-Unit Power

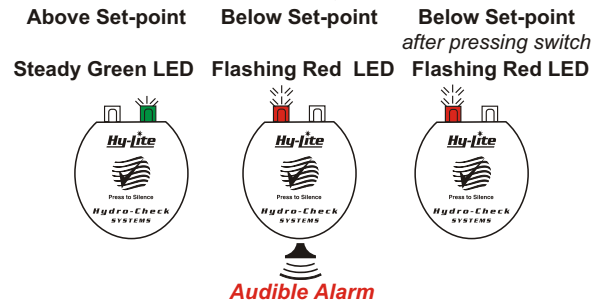


Up to 6 Hy-Lites can be plugged into each other greatly reducing congestion at the wall outlet. The results are a more professional installation! Operational power is a safe 12 VDC supplied by a plug-in style transformer.

Visual & Audible Alarm

Easy to see Green and Red LEDs continuously display the status of pure water quality relative to set-point rating. Whenever the water is of acceptable purity, the Green light remains on. Should the purity fall below set-point, the Red light *Flashes* and the **built-in peizo Alarm** sounds! The alarm can be silenced by pressing the **membrane switch** in the front label, and will not resound until the next Red light condition occurs.

Alarm / Display Modes



Versatile Insertion Cell

The integral cell is designed for installation in standard threaded tees. 1/2" & 3/4" mNPT polypro fittings are provided. Cell construction is of trouble-free Stainless Steel electrodes and ABS.

Control & Remote Alarm Capability

Hy-Lites have an **Output Port** for connection to Relay and/or Remote Alarm Modules at distances up to **700 feet!** Telephone type cable/connectors result in fast and easy, *click-click*, installation.

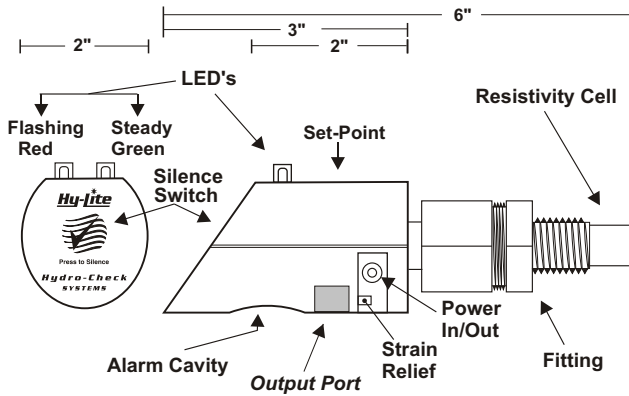


The Remote Alarm Module has a peizo alarm, green/red LEDs, and silence switch to duplicate the operational status of the connected Hy-Lite. Both units act as a system, since silencing the alarm at either location will silence both alarms. The alarm module can also be ordered with an auto re-alarm feature.

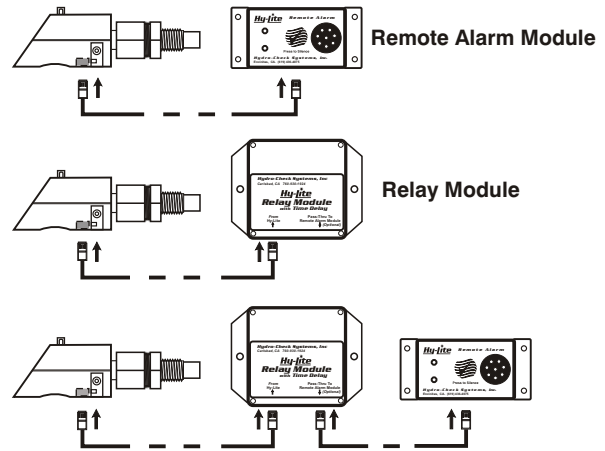


The Relay Module allows the Hy-Lite to perform as a controller of valves, custom alarm systems, etc. The SPDT relay features an adjustable time delay to compensate for expected equipment rinse-up times. There is also a signal pass-thru feature permitting the relay module to be used with the remote alarm module.

Identification Drawing



Module Configurations



Specifications

Accuracy: $\pm 3\%$ @ 5-45°C

Repeatability: $\pm 1\%$

Temperature Compensation: Automatic to 25°C from 5-45°C (41-113°F)

Available Set-Points: (single fixed) 25, 50, 200 kilohm-cm @ 25°C
1, 2 megohm-cm @ 25°C

Visual Display: Steady Green & Flashing Red LEDs

Audible Alarm: 70db peizo alarm with membrane overlay kill switch

Input Power: 12VDC; 30 milliamps

Transformer: Plug-in, class 2, UL & CSA approved, Input 110 VAC, 50-60 Hz / Output 12 VDC @ 200 mA integral 6' cable

Patchcord: 8' with male termination's

Output to Module Connection: 4 wire, 26 ga, UL4110 telephone cable with FCC modular handset connectors

Materials of Construction:

Wetted: 303 SS, ABS, Polypropylene, Viton

Non-Wetted: enclosure/ABS ; labels/polyester, chrome-mylar

Operating Pressure: 0 - 150psi

Fittings: 1/2" or 3/4" mNPT

Dimensions: overall length - 6"...enclosure length - 3"... width - 2"
overall height w/LED's - 2"

²Viton® is a registered trademark of DuPont Dow Elastomers

Ordering Information

Model: **Description:**

HLA **Hy-Lite with Alarm**

-25, -50, or -200 kilohm-cm

-1, or -2 megohm-cm

HLS **Silent Hy-Lite**

-25, -50, or -200 kilohm-cm

-1, or -2 megohm-cm

RMA **Remote Alarm Module**

RMR **Relay Module**

RMAR **Remote Alarm Module with Re-Alarm**

Note: Transformers and Patchcords Ordered Separately

Accessories:

HyTran-A,

Plug-in 110 VAC/12 VDC Transformer

with 8' output cord

HyTran-B, Euro

Plug-in 230VAC/50Hz/12VDC Euro-style plug

*contact factory for other power configurations

HyPC,

Hy-Lite to Hy-Lite Patchcord, 8'

RPC,

Hy-Lite to Remote Module Cables,

-10, -50, -100, -200 ft, custom lengths

Distributed By:

The **Hydro-Check Systems Hy-Lite, Modules, and accessories** have a warranty against defects in materials and workmanship for a period of 2 years from the date of manufacture. Warranty items returned prepaid will be repaired or replaced by the factory at no charge. Warranty applies only to product defects and **Hydro-Check Systems** accepts no other liability.

Hydro-Check Systems, Inc

5931 Sea Lion Place, Suite 100, Carlsbad, CA, USA, 92010

tel 760-930-1924

760-930-1934 fax

www.hydrocheck.com